

Oil level sight glasses

Brass / natural glass, resistant up to 100 °C

SPECIFICATION

Types

- Type **A**: with contrast screen
- Type **B**: without contrast screen

Body

Brass

CuZn40Pb2

Contrast screen

Technopolymer (Polysulfon)

- temperature resistant up to **100 °C**
- Sight glass Float-glass
- O-Ring rubber NBR (Perbunan®)



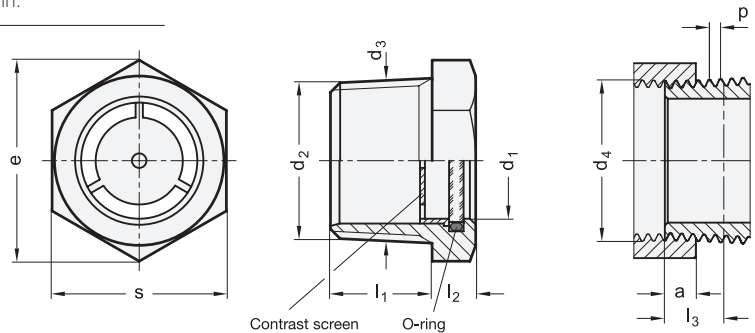
INFORMATION

The conical thread of the oil level sight glasses GN 743.7 makes a metallic seal possible. When tightening the conical male thread R it blocks itself with the appropriate cylindrical female thread Rp.

With the datum plane a the R-male thread has the same thread diameter as the Rp-female thread, so that it can be screwed in by hand. The strong tightening by means of a tool increases the length of engagement and seals the screw connection. Additionally a sealant (hemp or teflon band) is usually used. The R-thread is „roughened“, so that the sealant does not shift when screwing in.

ON REQUEST

- EPDM O-rings



GN 743.7

Description	d1	d2	a	d3	d4	e	l1	l2	l3	s	p	△
GN 743.7-11-R3/8-A	11	R 3/8	6.4	16.7	Rp 3/8	22	13	6	10.1	19	1.34	19
GN 743.7-14-R1/2-A	14	R 1/2	8.2	21	Rp 1/2	27.5	17	7	13.2	24	1.81	40
GN 743.7-18-R3/4-A	18	R 3/4	9.5	26.4	Rp 3/4	31	18	8	14.5	27	1.81	50
GN 743.7-24-R1-A	24	R 1	10.4	33.2	Rp 1	40.5	21	9	16.8	36	2.3	91
GN 743.7-32-R11/4-A	32	R 1 1/4	12.7	42	Rp 1 1/4	53	24	9	19.1	46	2.3	149
GN 743.7-11-R3/8-B	11	R 3/8	6.4	16.7	Rp 3/8	22	13	6	10.1	19	1.34	20
GN 743.7-14-R1/2-B	14	R 1/2	8.2	21	Rp 1/2	27.5	17	7	13.2	24	1.81	33
GN 743.7-18-R3/4-B	18	R 3/4	9.5	26.4	Rp 3/4	31	18	8	14.5	27	1.81	49
GN 743.7-24-R1-B	24	R 1	10.4	33.2	Rp 1	40.5	21	9	16.8	36	2.3	91
GN 743.7-32-R11/4-B	32	R 1 1/4	12.7	42	Rp 1 1/4	53	24	9	19.1	46	2.3	140
GN 743.7-32-11/4NPT-B	32	1 1/4 NPT	10.7	42.2	1 1/4 NPT	51.5	23	9	-	44.5	2.21	133
GN 743.7-11-3/8NPT-A	11	3/8 NPT	6.1	17.1	3/8 NPT	22	15	6	-	19.1	1.41	19
GN 743.7-14-1/2NPT-A	14	1/2 NPT	8.1	21.2	1/2 NPT	27.5	16	7	-	23.8	1.81	31
GN 743.7-18-3/4NPT-A	18	3/4 NPT	8.6	26.6	3/4 NPT	33	18	8	-	28.6	1.81	55
GN 743.7-24-1NPT-A	24	1 NPT	10.2	33.7	1 NPT	41.5	22	8	-	34.9	2.21	73
GN 743.7-32-11/4NPT-A	32	1 1/4 NPT	10.7	42.2	1 1/4 NPT	51.5	23	9	-	44.5	2.21	135
GN 743.7-11-3/8NPT-B	11	3/8 NPT	6.1	17.1	3/8 NPT	22	15	6	-	19.1	1.41	200
GN 743.7-14-1/2NPT-B	14	1/2 NPT	8.1	21.2	1/2 NPT	27.5	16	7	-	23.8	1.81	34
GN 743.7-18-3/4NPT-B	18	3/4 NPT	8.6	26.6	3/4 NPT	33	18	8	-	28.6	1.81	60
GN 743.7-24-1NPT-B	24	1 NPT	10.2	33.7	1 NPT	41.5	22	8	-	34.9	2.21	83
GN 743.7-32-11/4NPT-B	32	1 1/4 NPT	10.7	42.2	1 1/4 NPT	51.5	23	9	-	44.5	2.21	133

